

1

2

3

4

5

A

A

B

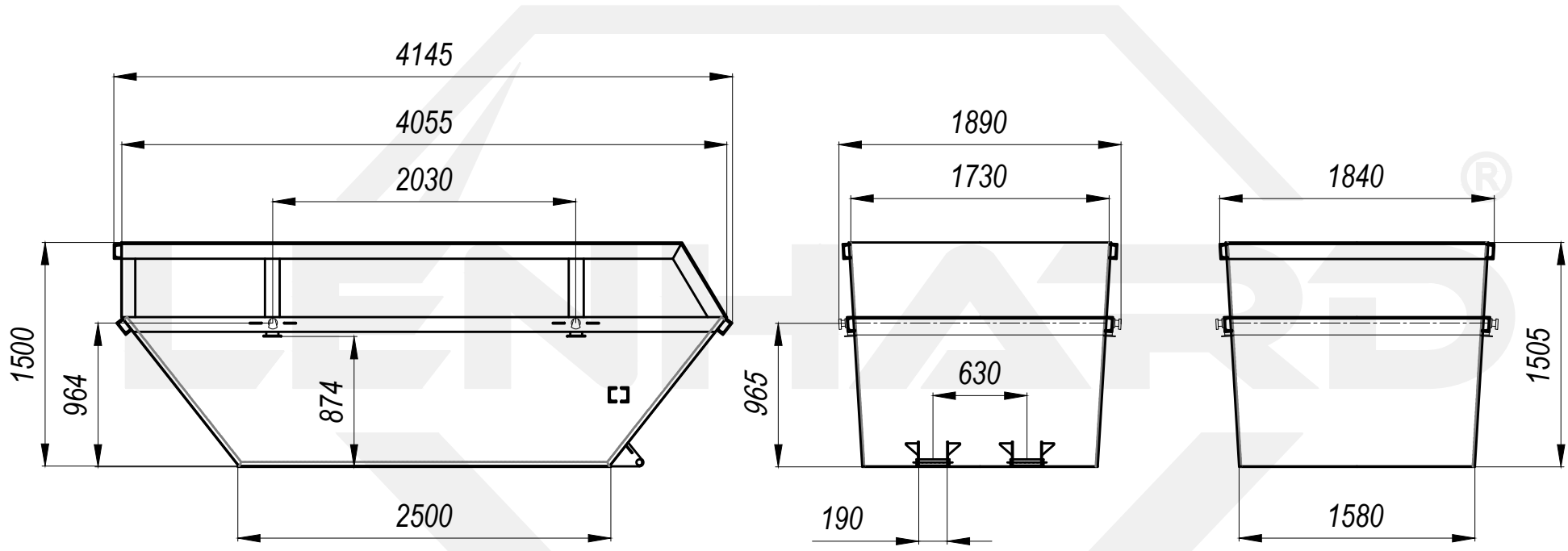
B

C

C

D

D



MULTIBENNE A10m3



1

2

3

4

5